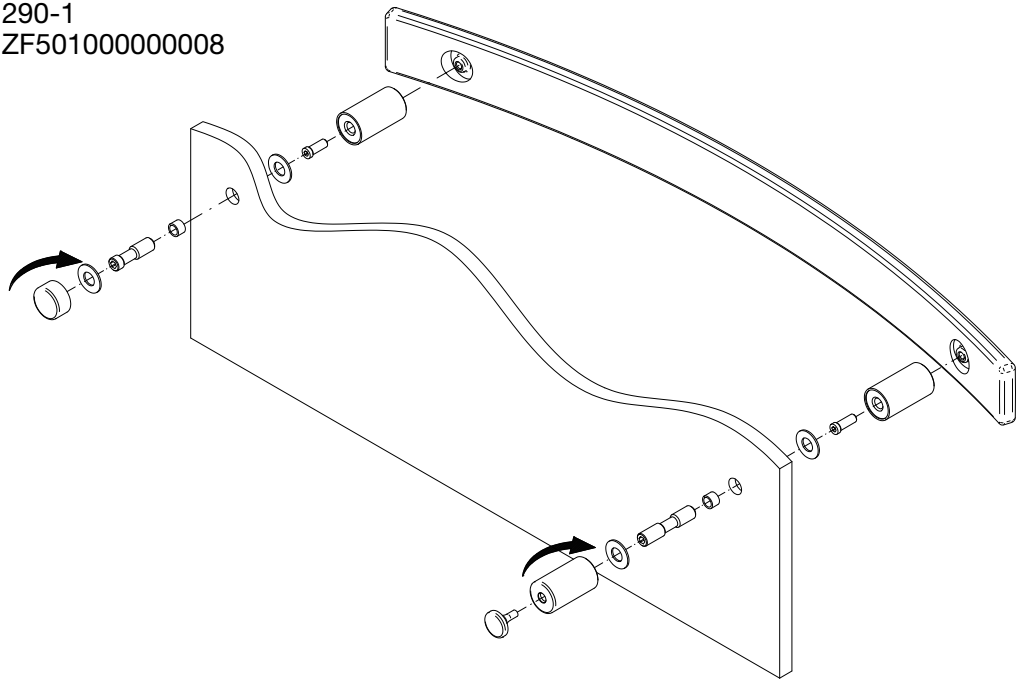


6257-2  
290-1  
ZF501000000008



V0062570050011